

PART NUMBER

COMPONENT SPECIFICATION



CSMR240

ISSUE 6

Component Specification for Ceramic Hermetically Sealed, Radiation Hard Optically Coupled Solid State Relay

Features	Applications
<ul style="list-style-type: none"> ▪ Compact Isolation Solid State Switches ▪ Continuous Output Current of 0.3A ▪ 0.4A Output Surge ▪ High Level of Transient Immunity ▪ Optically Coupled between Input and Output ▪ Space/Military Screening available ▪ Full Military temperature range -55°C to +125°C 	<ul style="list-style-type: none"> ▪ Space equipment and systems ▪ Military equipment and hi-reliability systems ▪ Aircraft Controls ▪ Electromechanical and Solid-State Relay Replacement ▪ Computer Systems ▪ Motor Driver ▪ H Bridge Driver

DESCRIPTION

The CSMR240 is a power MOSFET optocoupler housed in a 4 Pin LCC package, designed for applications where independent switches with radiation-tolerant performance are necessary. With 1000 V_{DC} isolation between input/output isolated relay, the CSMR240 is well-suited for solid-state relay applications. Its performance is rated for the full military temperature range, making it ideal for demanding environments.

Functionally, the CSMR240 acts as (Single Pole Single Throw), normally open (2 Form A) solid-state relay. The relay is activated by an input current, typically driven by a standard TTL device. The input current biases an AlGaAs emitter that is optically coupled to an integrated diode array, which in turn powers control circuitry to operate the output power MOSFET.

The device is available with screening in accordance with MIL-PRF-38534, Class K/H, or custom screening options or as COTS. The lead options support both through-hole and surface-mount assemblies, with gold-plated leads being standard, though other lead finishes are available.

Key Features:

- **Radiation Tolerant:** While the device contains radiation-hardened components, the specific radiation hardness must be determined through lot-specific testing,
- **High Voltage Isolation:** 1000 V_{DC} isolation between input/output and the relays, ensuring robust performance in high-voltage environments.
- **Versatile Packaging:** Supports surface-mount assembly, with various lead finishes available.

This single MOSFET optocoupler is suitable for military and aerospace applications where high reliability, radiation tolerance, and solid-state relay functionality are required.



ISOCOM Limited is AS9100 certified for the design and manufacture of electronic and optoelectronic components.

For sales enquiries, or further information, please contact our sales office at –

ISOCOM Limited • 2 Fern Court • Bracken Hill Business Park • Peterlee • County Durham • SR8 2RR • United Kingdom

Email: sales@isocom.uk.com • Tel: +44 (0)191 416 6546

STANDARDS

The following specifications have been complied with in the manufacturing of this product -

Aerospace Compliance Standards

AS9100D & ISO 9001:2015 – Design & Manufacture of Electronic and Optoelectronic Components (*Ref GB15/92780*)

Military Compliance Specifications

MIL-PRF-38534 – General Specification for Hybrid Microcircuits

MIL-PRF-19500 – General Specification for Discrete Semiconductor Devices

Military Compliance Standards

MIL-STD-202 – Test Method Standard Electronic and Electrical Component Parts

MIL-STD-883 – Test Method Standard Microcircuits

MIL-STD-750 – Test Method Standard for Semiconductor Devices

SCREENING INFORMATION

Our products can be screened to MIL-PRF-38534, applying test methods from MIL-STD-883; MIL-PRF-19500, applying test methods of MIL-STD-750; or a combination thereof. Please contact us for more information relating to the applicable screening processes.

AMENDMENT RECORD

Issue No.	Date	Description
1	January 2024	First issue
2	February 2024	Updated Outline Drawing, Features and Absolute Maximum Ratings
3	July 2024	Updated Electrical Characteristics
4	August 2024	Updated Functional Diagram and Truth Table
5	September 2024	Added Screening Flow
6	October 2024	Updated Electrical Characteristics

For sales enquiries, or further information, please contact our sales office at –

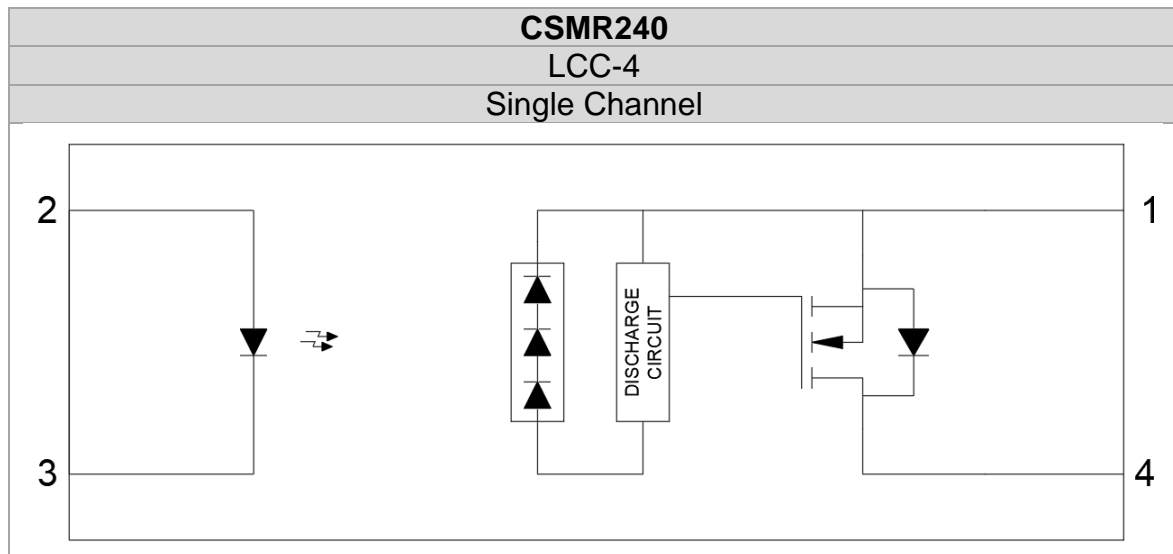
ISOCOM Limited • 2 Fern Court • Bracken Hill Business Park • Peterlee • County Durham • SR8 2RR • United Kingdom

Email: sales@isocom.uk.com • Tel: +44 (0)191 416 6546

PACKAGE STYLES AND CONFIGURATION OPTIONS

Package	4-Pin LCC
Lead Style	-
Channels	1
Common Channel Wiring	-
Isocom Part Number and Options	
Commercial	CSMR240
Defense Screen Level	CSMR240/L2
Space Screen Level	CSMR240/L2S
Standard Gold Plate Finish	Gold Plate
Solder Dipped	Option #20

FUNCTIONAL DIAGRAMS



TRUTH TABLE

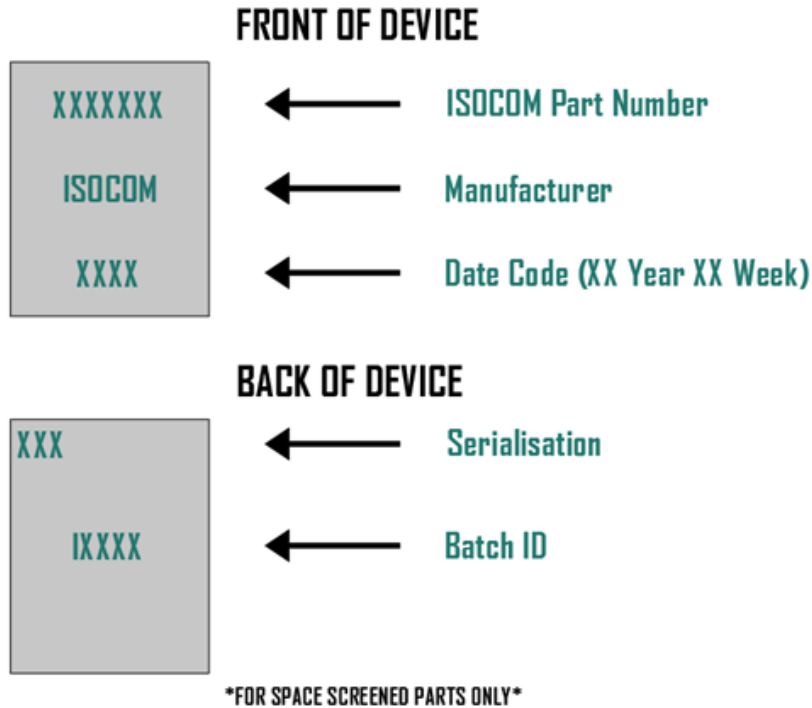
CSMR240 Truth Table	
INPUT	OUTPUT
HIGH	CLOSED
LOW	OPEN

For sales enquiries, or further information, please contact our sales office at –

ISOCOM Limited • 2 Fern Court • Bracken Hill Business Park • Peterlee • County Durham • SR8 2RR• United Kingdom

Email: sales@isocom.uk.com • Tel: +44 (0)191 416 6546

DEVICE MARKING



ABSOLUTE MAXIMUM RATINGS

T_A = 25°C U.O.S

Storage Temperature	-65°C to +150°C
Operating Temperature – T _A	-55°C to +125°C
Junction Temperature – T _J	+150°C
Lead Soldering Temperature (for 10 seconds)	260°C (1.6mm below seating plane)
Average Input Current – I _F	20 mA
Peak Repetitive Input Current – I _{Fpk}	40 mA (pulse width < 100mS; duty cycle < 50%)
Peak Surge Input Current – I _{Fpk surge}	100 mA (pulse width < 0.2mS; duty cycle < 0.1%)
Continuous Output Current per relay – I _{O(1)}	0.3A
Peak Surge Output Current – I _{Opk surge}	0.4A (pulse width < 10ms)
Output Voltage – V _O	200 V _{DC}
Input-to-Output Isolation Voltage	↑1000 V _{DC}

For sales enquiries, or further information, please contact our sales office at –

ISOCOM Limited • 2 Fern Court • Bracken Hill Business Park • Peterlee • County Durham • SR8 2RR• United Kingdom

Email: sales@isocom.uk.com • Tel: +44 (0)191 416 6546

RECOMMENDED OPERATING CONDITIONS

Parameter	Symbol	Min	Max	Units
Input Current (ON)	$I_{F(ON)}$	10	20	mA
Input Voltage (OFF)	$V_{F(OFF)}$	0	0.6	V_{DC}
Operating Temperature	T_A	-55	+125	$^{\circ}C$

ELECTRICAL CHARACTERISTICS

$T_A = -55$ to $+125^{\circ}C$ U.O.S

Parameter	Symbol	Conditions	Limits		Units
			Min	Max	
Output Withstand Voltage	$V_{O(OFF)}$	$V_{F(OFF)} = 0.6V, I_o = 100\mu A$	200	–	V
Output On-Resistance ⁽²⁾	$R(ON)$	$I_{F(ON)} = 10mA, I_o = 100mA,$ pulse duration $\leq 30ms,$ duty cycles $< 10\%$	–	5	Ω
Output Leakage Current	$I_o(OFF)$	$V_{F(OFF)} = 0.6V, V_o = 200V$	–	100	μA
Input Forward Voltage	$V_{F(ON)}$	$I_{F(ON)} = 10mA$	1.0	1.7	V
Input Reverse Breakdown Voltage	V_R	$I_R = 10\mu A$	5.0	–	V
Input-Output Isolation Current ⁽³⁾	I_{I-O}	$V_{I-O} = 1000V_{DC}, t = 5s,$ $R_H \leq 45\%, T_A = 25^{\circ}C$	–	1.0	μA
Turn-On Time	$T(ON)$	$I_{F(ON)} = 10mA, I_o = 100mA,$ pulse duration $\leq 30ms,$ duty cycles $< 10\%$	–	6.0	ms
Turn-Off Time	$T(OFF)$	$I_{F(ON)} = 10mA, I_o = 100mA,$ pulse duration $\leq 30ms,$ duty cycles $< 10\%$	–	2.0	ms

Notes

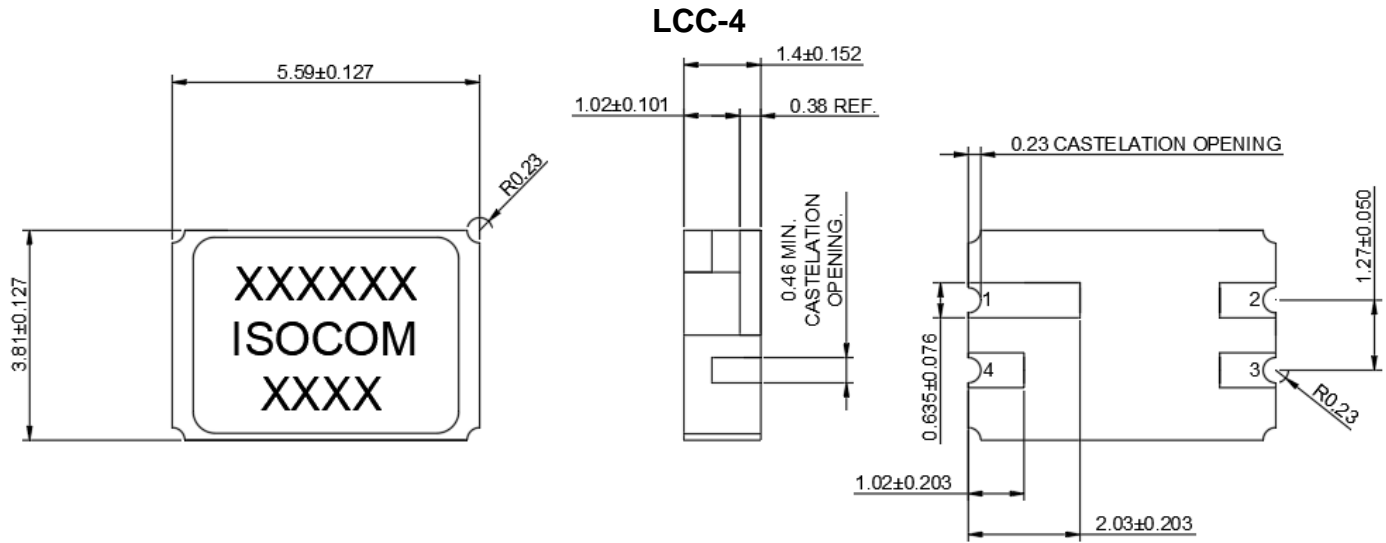
1. Maximum average current rating where the case temperature (T_C) is maintained below $120^{\circ}C$.
2. During the pulsed $R(ON)$ measurement (I_o duration $< 30ms$), ambient (T_A) and case temperature (T_C) are equal.
3. This is a momentary withstand test, not a continuous operating condition.
4. Typical Junction to case thermal resistance ($R_{\theta JC}$) for the device is $15^{\circ}C/W$, where the case temperature (T_C) is measured at the centre of the package bottom.

For sales enquiries, or further information, please contact our sales office at –

ISOCOM Limited • 2 Fern Court • Bracken Hill Business Park • Peterlee • County Durham • SR8 2RR • United Kingdom

Email: sales@isocom.uk.com • Tel: +44 (0)191 416 6546

OUTLINE DRAWINGS



PIN OUT INFORMATION

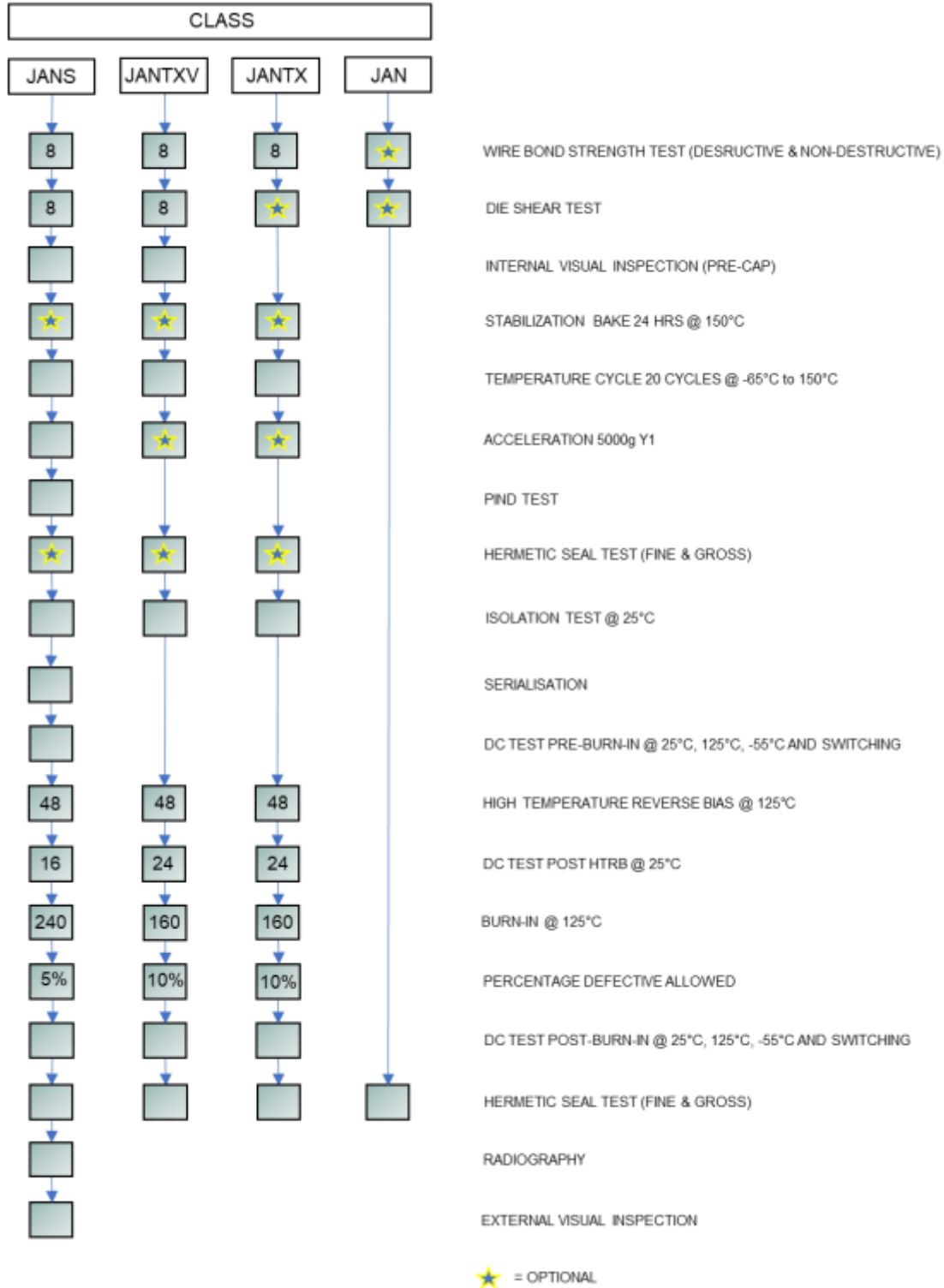
Pin Number	Pin Function
1	Source
2	Anode
3	Cathode
4	Drain

For sales enquiries, or further information, please contact our sales office at –

ISOCOM Limited • 2 Fern Court • Bracken Hill Business Park • Peterlee • County Durham • SR8 2RR • United Kingdom

Email: sales@isocom.uk.com • Tel: +44 (0)191 416 6546

SCREENING IN ACCORDANCE WITH MIL-PRF 19500



For sales enquiries, or further information, please contact our sales office at –

ISOCOM Limited • 2 Fern Court • Bracken Hill Business Park • Peterlee • County Durham • SR8 2RR • United Kingdom

Email: sales@isocom.uk.com • Tel: +44 (0)191 416 6546

The following screening flow includes the electrical tests between each screening step, the referenced test method from MIL-STD 750 and the sample basis for Class JANTX, JANTXV and JANS quality levels.

Operation No.	Operation	MIL-PRF 19500	Class		
			JANTX (L2)	JANTXV (L2)	JANS (L2S)
1	Wire bond strength (ND)	(883) 2023	100%	100%	100%
2	Wire bond strength (D)	(750) 2037, Con D	4 devices	4 devices	8 devices
3	Die Shear	(750) 2017	4 devices	4 devices	8 devices
4	Internal Visual	(750) 2072	Optional	100%	100%
5	Stabilization Bake		Optional	Optional	Optional
6	Electrical Test @ 25°C		100%	100%	100%
7	Temp cycle (20 cycles @ -65°C to 150°C)	(750) 1051, Con F	100%	100%	100%
8	Electrical Test @ 25°C		100%	100%	100%
9	Constant acceleration	(750) 2006, 5000g, Y1	Optional	Optional	100%
10	Electrical Test @ 25°C		100%	100%	100%
11	P.I.N.D	(750) 2052, Con A	N/A	N/A	100%
12	Electrical Test @ 25°C		N/A	N/A	100%
13	Fine leak, Helium bomb, -Leak detector	(750) 1071 Con H1	Optional	Optional	Optional
14	Gross leak, Liquid bomb, Bubble chamber	(750) 1071, Con C	Optional	Optional	Optional
15	Serialisation of devices		N/A	N/A	100%
16	Isolation 100% @ 25°C	(MIL-STD 202) 301	100%	100%	100%
17	Electrical Test @ 25°C		100%	100%	100%
18	Electrical Test @ 125°C		100%	100%	100%
19	Electrical Test @ -55°C		100%	100%	100%
20	Switching time @ 25°C		100%	100%	100%
21	HTRB (125°C)	(750) 1039, Con A (80% VDS)	100% (48 hrs)	100% (48 hrs)	100% (48 hrs)
22	Electrical Test @ 25°C		100% (24 hrs)	100% (24 hrs)	100% (16 hrs)
23	Burn-in (125°C)	(750) 1039, Con B (80% VDS)	100% (160 hrs)	100% (160 hrs)	100% (240 hrs)
24	Percentage defective allowable	Pre/post Burn-in electrical and delta at 25°C only	100% @ 10% PDA	100% @ 10% PDA	100% @ 5% PDA
25	Electrical Test @ 25°C		100% (Group A, SG 2)	100% (Group A, SG 2)	100% (Group A, SG 2)
26	Electrical Test @ 125°C		100% (Group A, SG 3)	100% (Group A, SG 3)	100% (Group A, SG 3)
27	Electrical Test @ -55°C		100% (Group A, SG 3)	100% (Group A, SG 3)	100% (Group A, SG 3)
28	Switching time @ 25°C		100% (Group A, SG4)	100% (Group A, SG4)	100% (Group A, SG4)
29	Fine leak, Helium bomb, -Leak detector	(750) 1071 Con H1	100%	100%	100%
30	Gross leak, Liquid bomb, Bubble chamber	(750) 1071, Con C	100%	100%	100%
31	Radiography	(750) 2076	N/A	N/A	100%
32	External Visual	(750) 2071	N/A	N/A	100%

For sales enquiries, or further information, please contact our sales office at –

ISOCOM Limited • 2 Fern Court • Bracken Hill Business Park • Peterlee • County Durham • SR8 2RR• United Kingdom

Email: sales@isocom.uk.com • Tel: +44 (0)191 416 6546

MIL-PRF 19500 TYPICAL QCI TESTING PROCESS FLOW

Group	Sub Group	Parameters	TM	Quantity (accept number)		
				JANS	JANTX, JANTXV	
A (CI)	1	Visual and mechanical inspection	750-2071	100%	100%	
	2	Static tests at +25°C	Datasheet			
	3	Static tests at min and max. rated operating temp.	Datasheet			
	4	Dynamic test at +25°C	Datasheet			
		(JANS)		Large LOT (accept)	Small LOT (accept)	
B (PI)	1	Physical dimension	750-2066	22 (0)	8 (0)	
	2	Solderability	750-2026	15 leads (0)	6 leads (0)	
	3	Temperature cycling (100 cycles)		750-1051	22 (0)	6 (0)
		Hermetic seal (fine and gross leak)		750-1071		
		Electrical measurements		GRP-A-SG2		
		Decap internal visual		750-2075	6 (0)	6 (0)
		Bond strength		750-2037	22 wires (0) or 11 (0)	12 wires (0) or 6 (0)
	4	SEM		750-2077	11 (0)	6 (0)
		Die shear		750-2017	11 (0)	6 (0)
		Intermittent operation life (2000 cycles)		750-1037	22 (0)	12 (0)
Electrical measurements		GRP-A-SG2				
		(JANTXV, JANTX)		Large LOT (accept)	Small LOT (accept)	
B (PI)	1	Solderability	750-2026	15 leads (0)	4 leads (0)	
	2	Temperature cycling (45 cycles incl. screening)		750-1051	22 (0)	6 (0)
		Hermetic Seal (fine and gross leak)		750-1071		
	3	Electrical measurements		GRP-A-SG2	45 (0)	12 (0)
		Steady state op. life (340 Hrs) or intermittent op. life (2000 cycles)		750-1026 or 750-1037		
Electrical measurements		GRP-A-SG2				
4	Decap internal visual		750-2075	1 (0)	1 (0)	

For sales enquiries, or further information, please contact our sales office at –

ISOCOM Limited • 2 Fern Court • Bracken Hill Business Park • Peterlee • County Durham • SR8 2RR• United Kingdom

Email: sales@isocom.uk.com • Tel: +44 (0)191 416 6546

**MIL-PRF 19500 TYPICAL QCI TESTING
PROCESS FLOW**

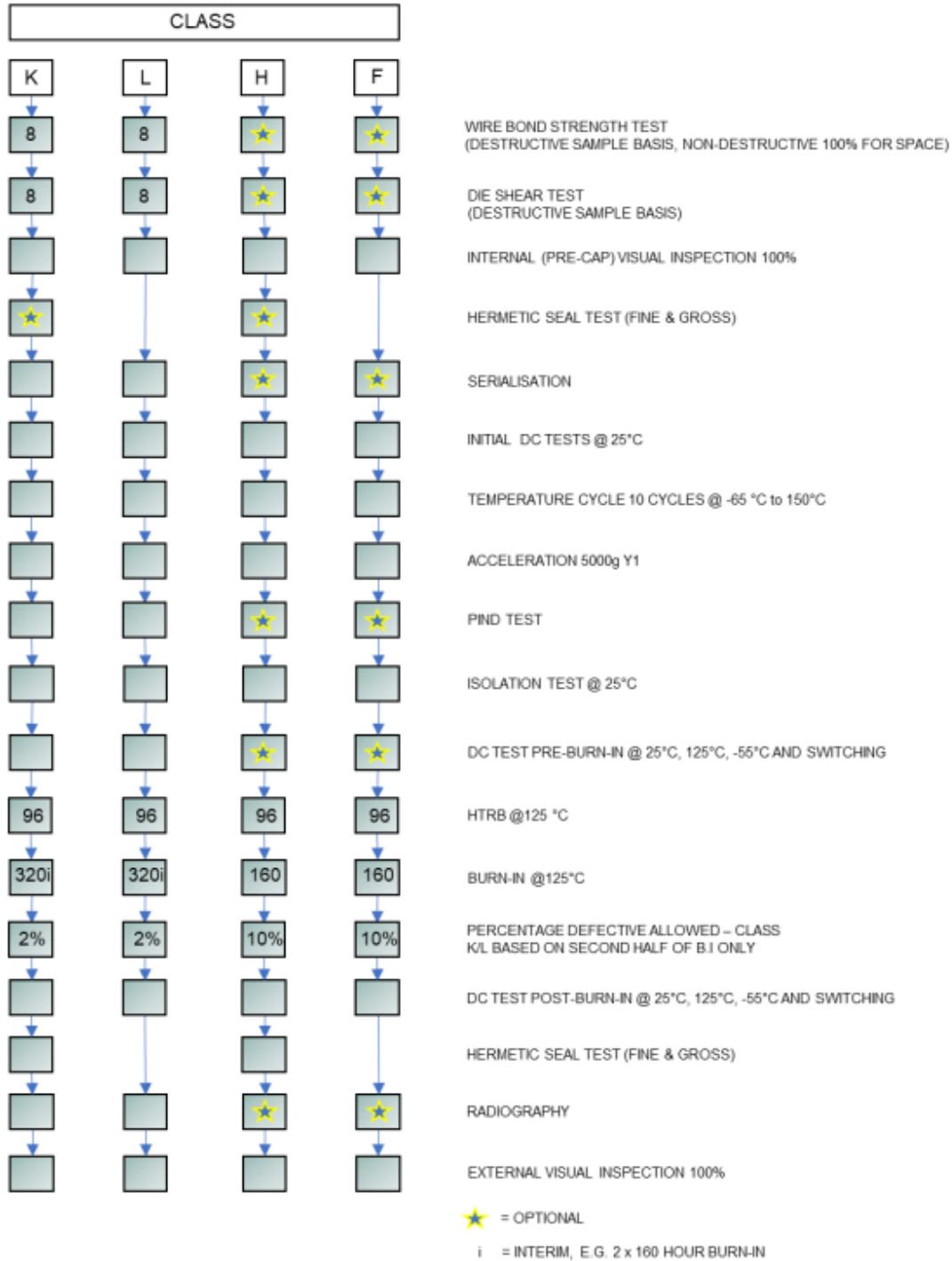
Group	Sub Group	Parameters	TM	Sample plan	Small LOT (accept)
C (PI)	1	Physical dimensions (Not Req. JANS)	750-2066	15 (0)	6 (0)
	2	Thermal shock (25 cycles, con B)	750-1056	22 (0)	6 (0)
		Temperature cycling (45 cycles incl. screening)	750-1051		
		Terminal strength	750-2036		
		Hermetic seal (fine and gross leak)	750-1071		
	3	Electrical measurements	GRP-A-SG2	22 (0)	6 (0)
		Constant acceleration (5000g, Y1 only)	750-2006		
	6	Steady state op. life (1000 Hrs) or intermittent op. life (6000 cycles)	750-1026 or 750-1037	22 (0)	12 (0)
	7	Internal Gas Analysis - Moisture 10,000 ppmv limit	GRP-A-SG2	3 (0)	3 (0)
			750-1018		

For sales enquiries, or further information, please contact our sales office at –

ISOCOM Limited • 2 Fern Court • Bracken Hill Business Park • Peterlee • County Durham • SR8 2RR• United Kingdom

Email: sales@isocom.uk.com • Tel: +44 (0)191 416 6546

SCREENING IN ACCORDANCE WITH MIL-PRF 38534



For sales enquiries, or further information, please contact our sales office at –

ISOCOM Limited • 2 Fern Court • Bracken Hill Business Park • Peterlee • County Durham • SR8 2RR• United Kingdom

Email: sales@isocom.uk.com • Tel: +44 (0)191 416 6546

The following screening flow includes the electrical tests between each screening step, the referenced test method from MIL-STD 883 and the sample basis for Class K/L and H/F quality levels.

Operation No.	Operation	MIL-STD 883 TEST METHOD	Class	
			H/F (L2)	K/L (L2S)
1	Wire bond strength (ND)	(883) 2023	Optional	100%
2	Wire bond strength (D)	(883) 2011	Optional	8 devices
3	Die Shear	(883) 2019	Optional	8 devices
4	Internal Visual	(883) 2017	100%	100%
5	Fine leak, Helium bomb, Leak detector	(883) 1014, Con A1	Optional	Optional
6	Gross leak, Liquid bomb, -Bubble chamber	(883) 1014, Con C1	Optional	Optional
7	Serialisation of devices		Optional	100%
8	Electrical Test 25°C		100%	100%
9	Temp cycle @ -65°C to 150°C	(883) 1010, Con C, 10 cycles	100%	100%
10	Electrical Test 25°C		100%	100%
11	Constant acceleration	(883) 2001, 3000g, Y1	100%	100%
12	Electrical Test 25°C		100%	100%
13	P.I.N.D	(883) 2020, Con A	Optional	100%
14	Electrical Test 25°C		100%	100%
15	Isolation 100% @ 25°C	(MIL-STD 202) 301	100%	100%
16	Electrical Test 25°C		100%	100%
17	Electrical Test 125°C		Optional	100%
18	Electrical Test -55°C		Optional	100%
19	Switching time 100% @ 25°C		Optional	100%
20	HTRB @ 125°C - 96 hrs	(883) 1015, con A	100%	100%
21	Electrical Test 25°C		100%	100%
22	Burn in @ 125°C	(883) 1015, con B	100% 160 hours	100% 160 hrs
23	Electrical Test 25°C		100%	100%
24	Burn in @ 125°C	(883) 1015, con B	N/A	100% 160 hrs
25	Percentage defective allowable	Pre/post Burn-in electrical and delta at 25°C only	Max. 10%	Max. 2%
26	Electrical Test 25°C	Group A - SG1	100%	100%
27	Electrical Test 125°C	Group A - SG2	100%	100%
28	Electrical Test -55°C	Group A - SG3	100%	100%
29	Switching time 100% @ 25°C	Group A - SG9	100%	100%
30	Fine leak, Helium bomb, Leak detector	(883) 1014, Con A1	100%	100%
31	Gross leak, Liquid bomb, -Bubble chamber	(883) 1014, Con C1	100%	100%
32	Radiography	(883) 2012	Optional	100%
33	External Visual	(883) 2009	100%	100%

For sales enquiries, or further information, please contact our sales office at –

ISOCOM Limited • 2 Fern Court • Bracken Hill Business Park • Peterlee • County Durham • SR8 2RR• United Kingdom

Email: sales@isocom.uk.com • Tel: +44 (0)191 416 6546

MIL-PRF 38534 TYPICAL QCI TESTING PROCESS FLOW

Group	Sub Group	Parameters	Quantity (accept number)		
			TM	K	H
A (CI)	1	Static tests at +25°C	Datasheet	100%	100%
	2	Static tests at max. rated operating temp.	Datasheet	100%	100%
	3	Static tests at min. rated operating temp.	Datasheet	100%	100%
	9	Switching tests at +25°C	Datasheet	100%	100%
B (PI)	1	Physical dimension	883-2016	2 (0)	2 (0)
	4	Internal visual and mechanical	883-2014	1 (0)	1 (0)
	5	Bond strength: Ultrasonic (on hotplate)	883-2011	2 (0)	2 (0)
	6	Die shear strength	883-2019	2 (0)	2 (0)
	7	Solderability	883-2003	1 (0)	1 (0)
	8	Seal: a. Fine, b. Gross	883-1014	N/A	15 (0)
C (PI)	1	External visual	883-2009	5 (0)	5 (0)
		Temperature Cycling	883-1010	5 (0)	5 (0)
		Constant acceleration	883-2001	X	5 (0)
		Seal (fine and gross)	883-1014	5 (0)	5 (0)
		PIND	883-2020	5 (0)	5 (0)
		Visual examination	883-1010	5 (0)	5 (0)
	2	End-point electrical	GRP-A	5 (0)	5 (0)
		Steady-state life test	883-1005	22 (0) or 5 (0)	22 (0) or 5 (0)
	3	End-point electrical	GRP-A	22 (0) or 5 (0)	22 (0) or 5 (0)
		Internal gas analysis Moisture 10,000 ppmv limit	883-1018	3 (0) or 5 (1)	3 (0) or 5 (1)
D (PI)	1	Thermal shock	883-1011	5 (0)	5 (0)
		Stabilization bake	883-1008	5 (0)	5 (0)
		Lead integrity	883-2004	1 (0)	1 (0)
		Seal: a. Fine, b. Gross	883-1014	5 (0)	5 (0)

For sales enquiries, or further information, please contact our sales office at –

ISOCOM Limited • 2 Fern Court • Bracken Hill Business Park • Peterlee • County Durham • SR8 2RR • United Kingdom

Email: sales@isocom.uk.com • Tel: +44 (0)191 416 6546

Summary of key differences between MIL-PRF 19500 and MIL-PRF 38534 for space level testing:

	MIL-PRF 19500 - JANS	MIL-PRF 38534 – Class K
No. of Operation (Screening) Steps	32	33
Optional Hermeticity Testing	Occurs post P.I.N.D	Occurs post Internal Visual
Temp cycle – No. of Temp Cycles	20	10
Acceleration - Amount of g force	5000g	3000g
HTRB – No. of hours	48	96
Burn-in – No. of hours	240 hrs in one successive burn-in	320 hrs (2 x 160 hrs with interim electrical)
PDA post burn-in	5% after 240 hrs burn-in	2% after second 160 hrs burn-in

For sales enquiries, or further information, please contact our sales office at –

ISOCOM Limited • 2 Fern Court • Bracken Hill Business Park • Peterlee • County Durham • SR8 2RR• United Kingdom

Email: sales@isocom.uk.com • Tel: +44 (0)191 416 6546

DISCLAIMER

The information provided on the datasheet is for preliminary and general information only. We do not warrant that the information contained on the datasheet is suitable for your intended use, nor do we accept responsibility for loss suffered as a result of reliance by you upon the accuracy or currency of information contained on the datasheet. In particular, you should not make any investment or commercial decision on the basis of the information contained on the datasheet. You should obtain independent professional advice and make your own further enquiries before making any investment or commercial decision or taking any further action in any way related to the information contained on the datasheet.

We are not aware of any inaccuracy in the information contained on the datasheet. However, we do not warrant the accuracy, adequacy or completeness of such information.

We reserve the right to remove or alter any of the information contained on the datasheet at any time. However, we do not guarantee the currency of the information contained on the datasheet, nor do we undertake to keep the datasheet updated.

ISOCOM Limited
2 Fern Court
Bracken Hill Business Park
Peterlee
County Durham
SR8 2RR
United Kingdom

W – www.isocom.uk.com
E – sales@isocom.uk.com
T - +44 (0) 191 416 6546



ISOCOM Limited is AS9100 certified for the design and manufacture of electronic and optoelectronic components.

For sales enquiries, or further information, please contact our sales office at –

ISOCOM Limited • 2 Fern Court • Bracken Hill Business Park • Peterlee • County Durham • SR8 2RR • United Kingdom

Email: sales@isocom.uk.com • Tel: +44 (0)191 416 6546