

MPS ARCA 6040



Sample image

Order symbol : MPS ARCA 6040

Product nr : 8120736

Description : Mounting plate (550x350x2 mm)

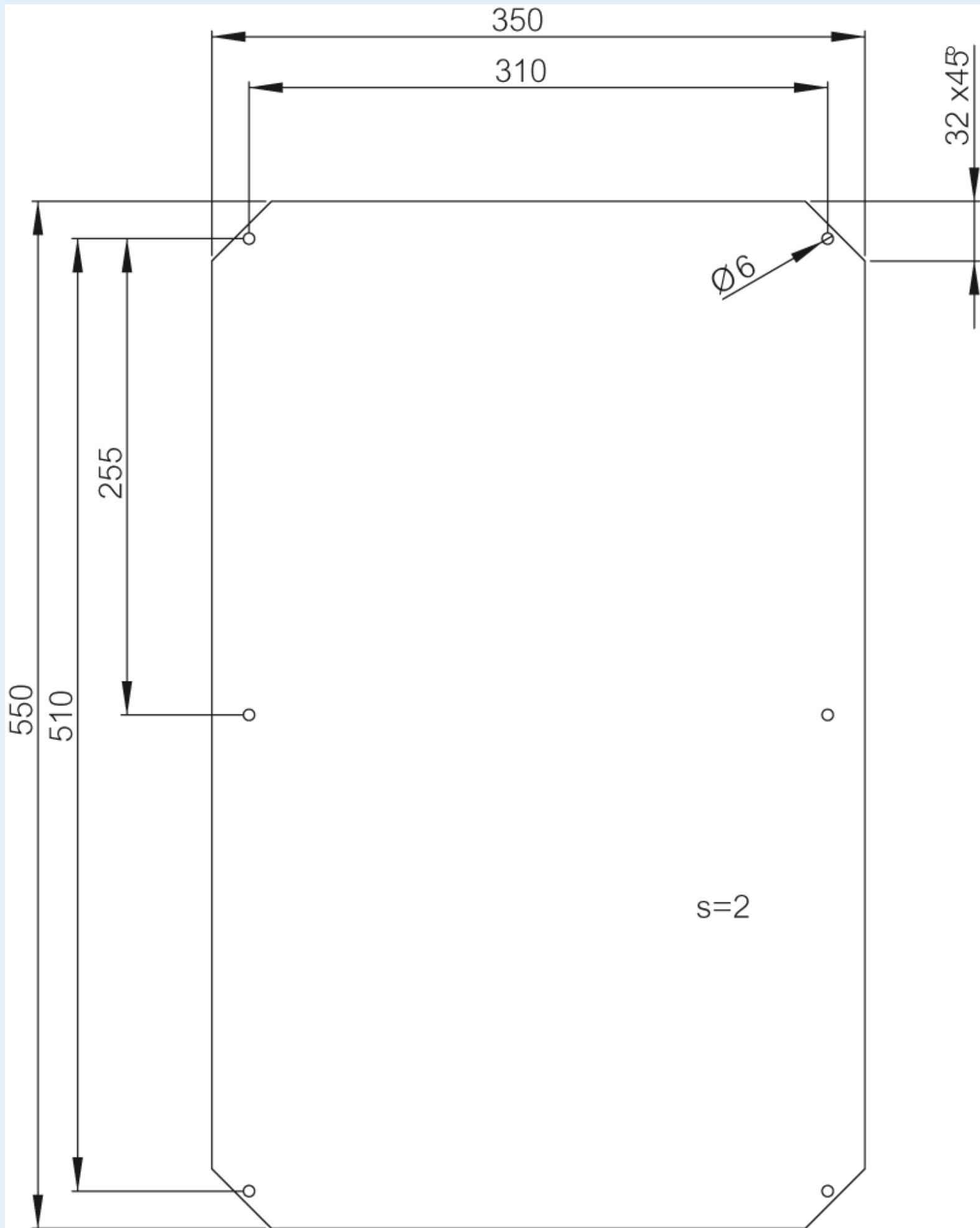
Remarks : Galvanized steel, for size 600x400x210

Including :

EAN : 6418074082596

El. number :

- Finland : 3423814
- Denmark : 8212094440
- Sweden : 2500186



Dimensions :

	Height	Width	Depth
mm :	550	350	2
inch :	21.65	13.78	0.08

Materials :

Material :
Base colour :
Cover colour :
Gasket material :

Temperatures :

Temperature °C (short term) :
Temperature °C (continuous) :
Temperature °F (short term) :
Temperature °F (continuous) :

Rating :

Ingress protection (EN 60529):
Impact Resistance (EN 62262):
Electrical insulation : Not insulated
Halogen free (DIN/VDE 0472, Part 815): 0
UV resistance : -
Flammability Rating :
Glow Wire Test (IEC 695-2-1) °C : C
NEMA Class

Certificates :