

# MPS ARCA 5040



Sample image

**Order symbol :** MPS ARCA 5040

**Product nr :** 8120735

**Description :** Mounting plate (450x350x2 mm)

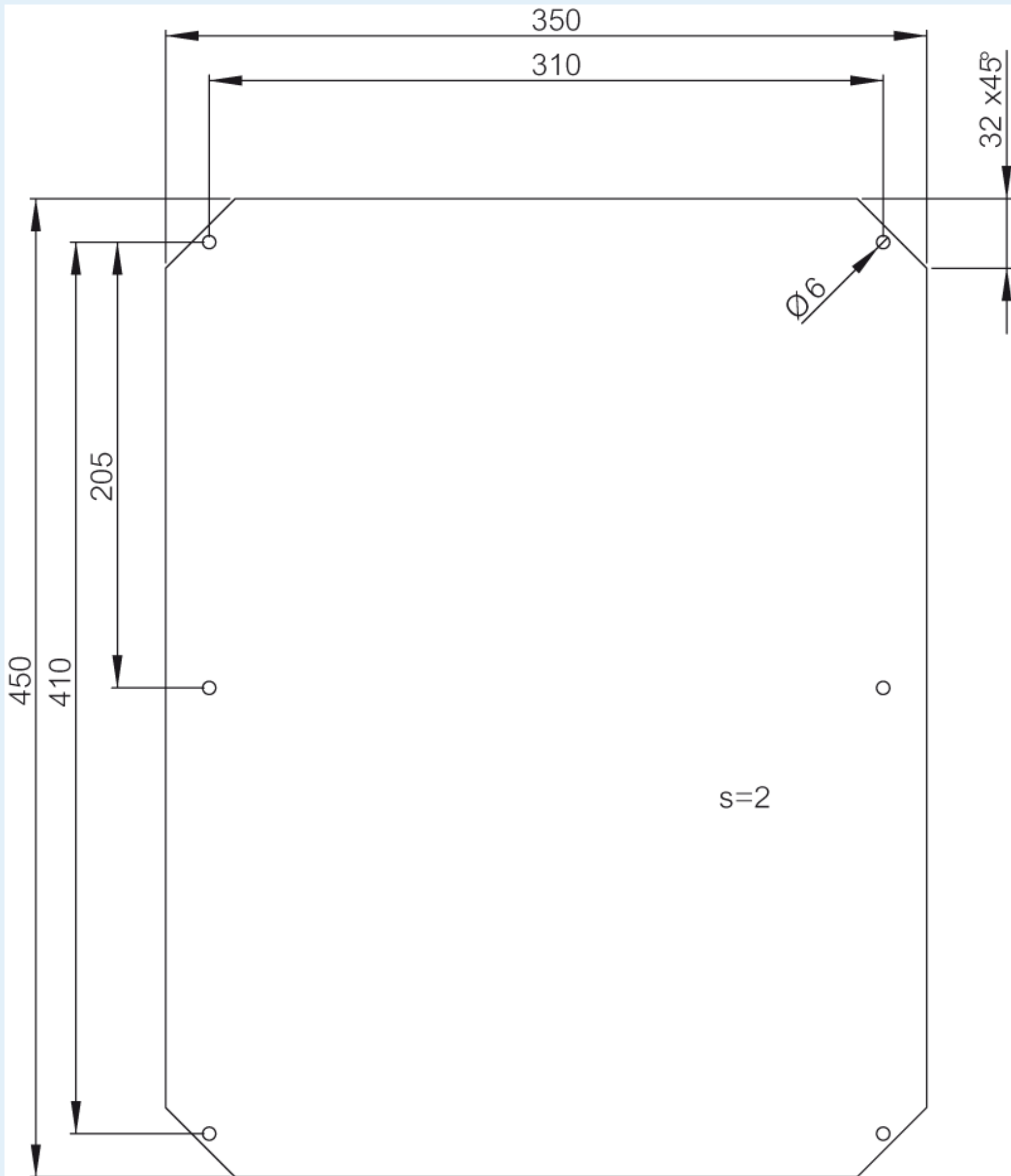
**Remarks :** Galvanized steel, for size 500x400x210

**Including :**

**EAN :** 6418074082589

**El. number :**

- Finland : 3423812
- Denmark : 8212094437
- Sweden : 2500185



**Dimensions :**

mm :

**Height**

450

**Width**

350

**Depth**

2

**Rating :**

Ingress protection (EN 60529):

inch : 17.72 13.78 0.08

**Materials :**

Material :

Base colour :

Cover colour :

Gasket material :

**Temperatures :**

Temperature °C (short term) :

Temperature °C (continuous) :

Temperature °F (short term) :

Temperature °F (continuous) :

**Impact Resistance (EN 62262):**

Electrical insulation : Not insulated

Halogen free (DIN/VDE 0472, Part 815): 0

UV resistance : -

Flammability Rating :

Glow Wire Test (IEC 695-2-1) °C : C

NEMA Class

**Certificates :**