

MPS ARCA 4030



Sample image

Order symbol : MPS ARCA 4030

Product nr : 8120733

Description : Mounting plate (350x250x2 mm)

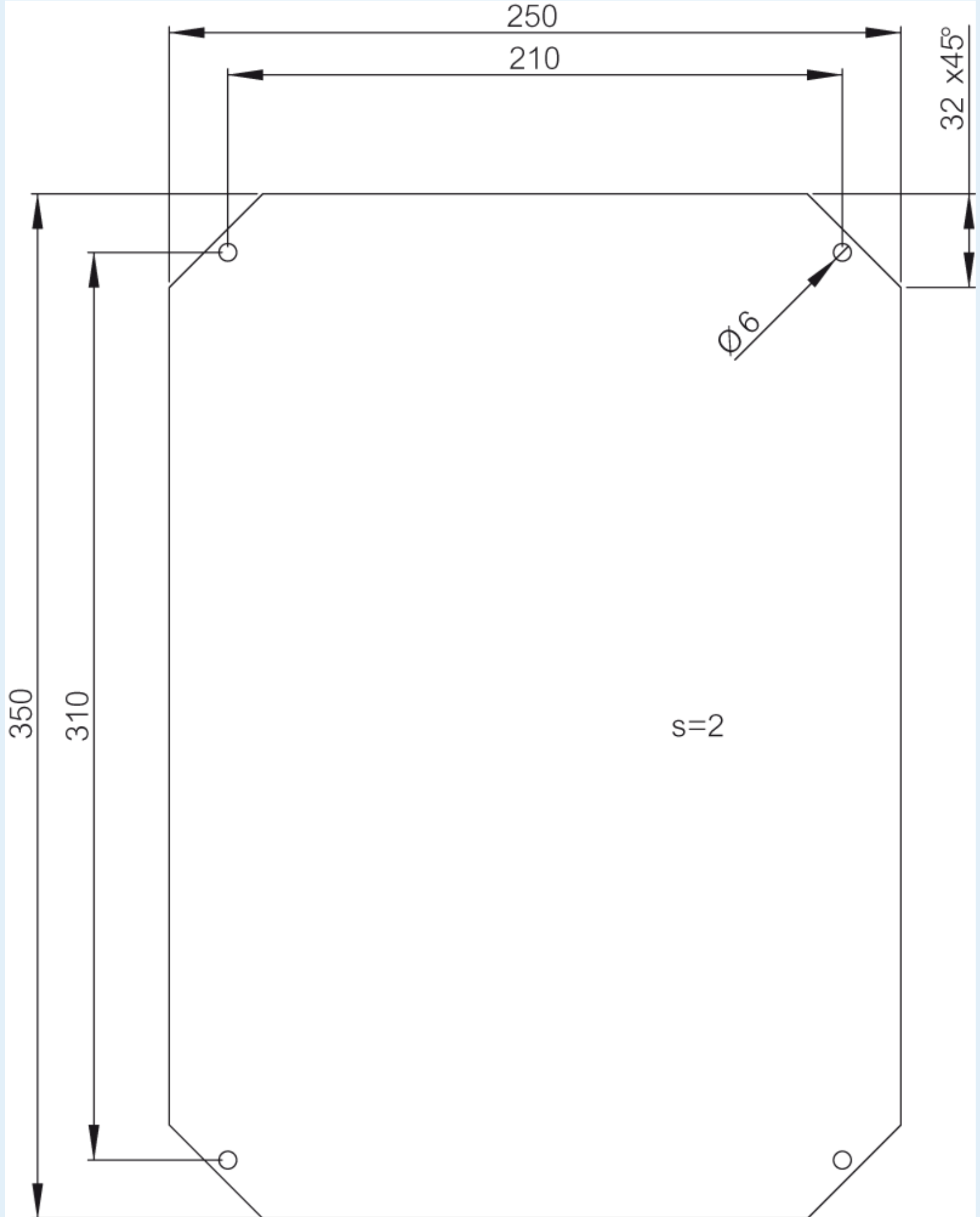
Remarks : Galvanized steel, for sizes 400x300x150/210

EAN : 6418074082565

Including :

El. number :

- Finland : 3423808
- Denmark : 8212094411
- Sweden : 2500184



Dimensions :

	Height	Width	Depth
mm :	350	250	2
inch :	13.78	9.84	0.08

Materials :

Material :
Base colour :
Cover colour :
Gasket material :

Temperatures :

Temperature °C (short term) :
Temperature °C (continuous) :
Temperature °F (short term) :
Temperature °F (continuous) :

Rating :

Ingress protection (EN 60529):
Impact Resistance (EN 62262):
Electrical insulation : Not insulated
Halogen free (DIN/VDE 0472, Part 815): 0
UV resistance : -
Flammability Rating :
Glow Wire Test (IEC 695-2-1) °C : C
NEMA Class

Certificates :